



## CTC Economic

Ultra-efficient hot water heater with Heat Injection technology – models: 120, 200, 300



### Efficient hot water production with minimal heat loss.

CTC Economic is a series of hot water heaters with flexible installation solutions. The heaters are available in 3 sizes: 95, 160 and 230 litres.

CTC Economic hot water heaters have a stylish design and the same high-quality construction and materials as CTC's heat pumps. All pipes are concealed for a neat and tidy installation. Accessory kit available for concealed top connection.

By using Heat Injection technology, CTC Economic ensures efficient and fast heating of domestic hot water. Since CTC Economic produces hot water faster and more efficiently than standard heaters, you can therefore select a smaller heater when replacing your old one.

In order to satisfy the strict requirements in the Ecodesign Directive, the mixing valve is side-mounted to the heater, which minimises heat loss, and it is additionally insulated with neoprene insulation of the highest class.

CTC Economic hot water heaters are so well-enclosed that they are rated with Ingress Protection 44, which means they can be installed in 'damp rooms' such as laundry rooms and bathrooms. The water heaters can be installed in most DHW systems where the chlorine content of the water does not exceed 50 mg/l and the pH value is not lower than 7.5.

Ecodesign data scale (A<sup>+</sup> to F).

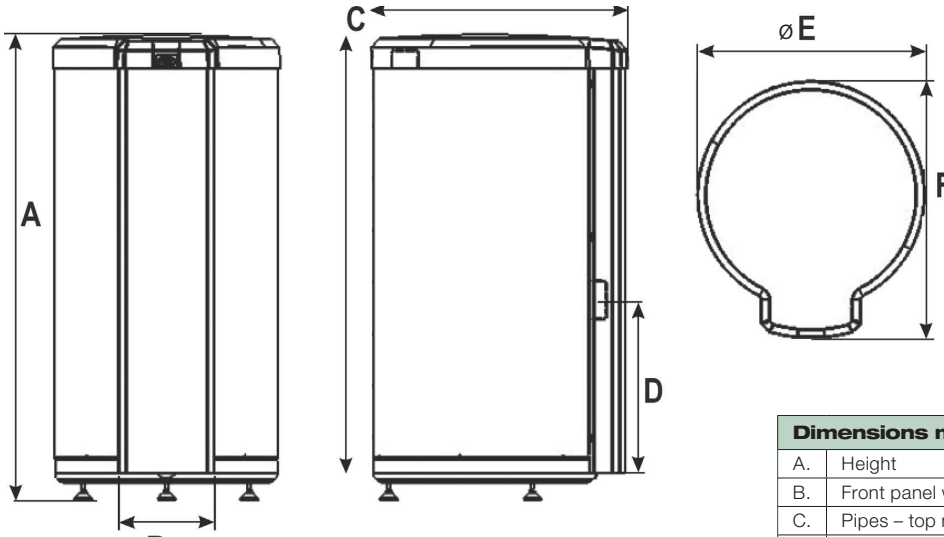
### Benefits:

- Eco-friendly and highly-efficient hot water production owing to Heat Injection technology.
- Available in three sizes
- Stainless steel water tank
- Easy installation with flexible connection
- Satisfies the Ecodesign Directive
- Minimal heat loss
- Stylish design
- Concealed pipes

ENERGY  
FLEX

Find a CTC distributor in your country  
[www.ctc-heating.com](http://www.ctc-heating.com)

## Dimensions diagram



### Delivery includes:

CTC Economic with manual

### Accessories:

Installation Kit for Top Mounting

EN120 RSK no.: 6922789

EN200 RSK no.: 6922790

EN300 RSK no.: 6922791

Electronic Limescale Remover

RSK no.: 6246325

Dimensions mm / model		120	200	300
A.	Height	770	1170	1620
B.	Front panel width	310	310	310
C.	Pipes – top mounting	715	1115	1565
D.	Pipes – side mounting	500	500	500
E.	Diameter Ø	584	584	584
F.	Depth	670	670	670

Additionally insulated with neoprene insulation of the highest class: A-S1d0

Side-mounted valve for minimal heat loss

Heat Injection technology. Should the water heater empty completely, there is only a short waiting time before you have plenty of hot water again.



Connection via top mounting (accessory) is fully concealed. The pipe is run through ducts in the cover and the connection is fully concealed by the front panel

Universal mounting  
Choose between right-hand side or left-hand side mounting, or fully concealed top mounting

Technical data 1x230V		120	200	300
CTC no.:		587100001	587101001	587102001
Dimensions (depth x width x height)	mm	670x584x770	670x584x1170	670x584x1630
Weight	kg	35	45	63
DHW connection	mm	15	15	15
Electrical data	V	230V 1N~ 50Hz	230V 1N~ 50Hz	230V 1N~ 50Hz
Rated output, electrical	kW	1.95	1.95	3.01
Water volume	litres	95	160	230
Max. operating pressure	bar	10	10	10
Ingress protection class		IP 44	IP 44	IP 44
Load profile		L	XL	XL
Energy efficiency class		C	D	C
Energy efficiency $[\eta_{WH}]$	%	38	38	38
Annual energy consumption [AEC]	kWh	2729	4416	4395
Thermostat setting $[T_{SET}]$	°C	60	50	55
Noise level indoors $[L_{WA}]$	dB	15	15	15
Daily electricity consumption $[Q_{elec}]$	kWh	12.660	20.110	20.020
Mixed volume 40 °C DHW $[V_{40}]$	litres	146	224	375

Approved in accordance with Regulation (EU) 814/2013.

Ecodesign data scale: A+ to F.

Energy labels and data sheets can be downloaded from [www.ctc.se/Ecodesign](http://www.ctc.se/Ecodesign).